

510-Series IP Cameras

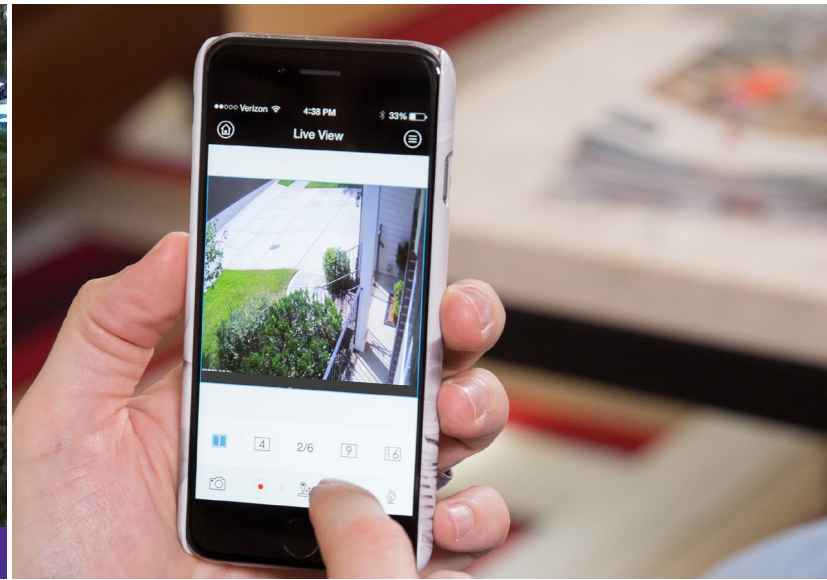
Get two times the resolution of 1080p with our Luma Surveillance 510-Series IP cameras. Our 4MP cameras come with Starlight technology, so you can see your property clearly around the clock.



IR



STARLIGHT



SECURITY WHEN YOU NEED IT MOST

Great daytime shots are nice, but Starlight improves nighttime performance – a critical feature for surveillance footage.



SEE CLEARLY

True WDR, or Wide Dynamic Range, autocorrects images taken in inconsistent lighting and balances them into a clear picture.



KEEP A WATCHFUL EYE

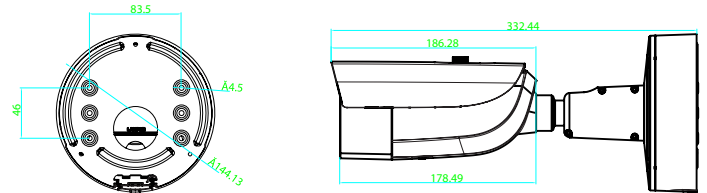
Get peace of mind by keeping an eye over everything you value most. Our Smart Motion Technology will immediately alert you to any unusual or suspicious activity on your property.

Technical Specs & Features

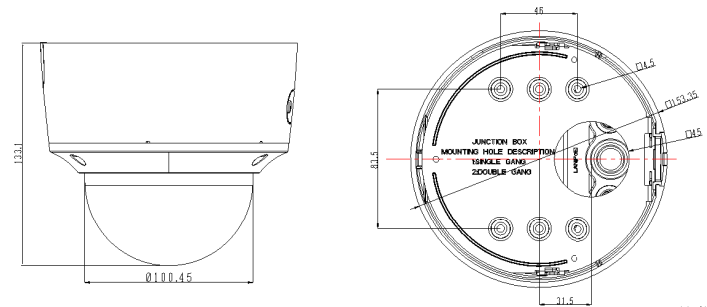
FEATURES	LUMA
	510 Series
Housing Options	Dome Turret Bullet
Color Options	White or Black/Gray
Resolution	4MP
Lens Type	Motorized Varifocal
IR Range	30m - 50m
Starlight	✓
H.265 Support	✓
3rd Video Stream for Control	✓
IP66 Outdoor Rating	✓
Low Temp Operating Rating	-22°F-140°F
True-WDR	✓
SD Card Slot	✓

SKU	Dimensions (W x H x D)
LUM-510-BUL-A-XX	5.7" x 5.7" x 13.1"
LUM-510-DOM-A-XX	6" x 5.2" x 6"
LUM-510-TUR-A-XX	5.4" x 5.4" x 5.9"

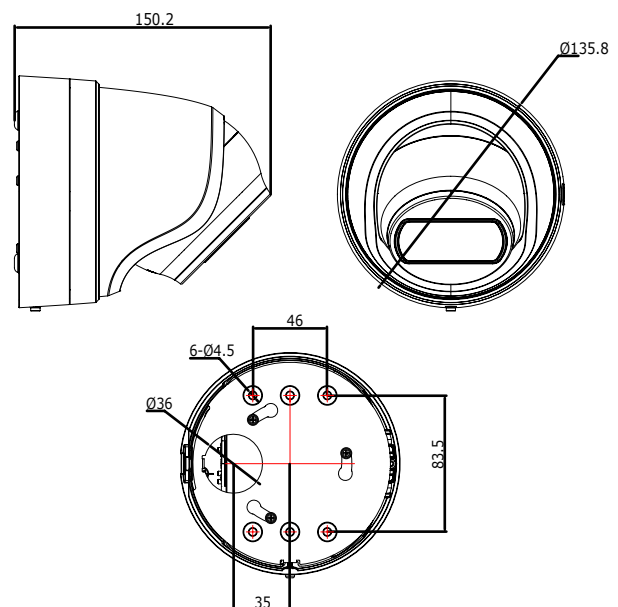
LUM-510-BUL-IP-WH/GR TECHNICAL DIMENSIONS



LUM-510-DOM-IP-WH/BL TECHNICAL DIMENSIONS



LUM-510-TUR-IP-WH/BL TECHNICAL DIMENSIONS



Serving the Carolinas since 1976
 410 South Post Road, Shelby, NC 28152
 www.BerryBusinessSystems.com
 NC (704) 482-4006
 SC (864) 582-4006